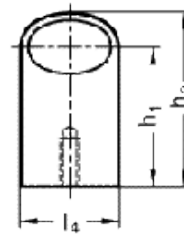
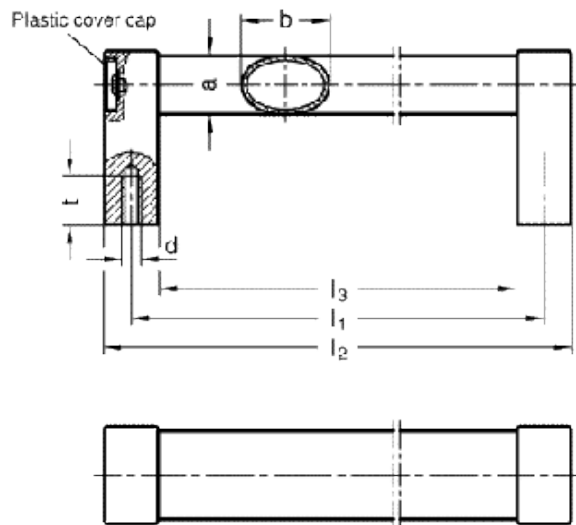


GN 334

Oval tubular handles



technical informations

Material

Aluminium.

Handle shanks

Die-cast zinc alloy, epoxy resin coating.

Finish

Version SW:

- Tube: RAL 9005 black colour, matte finish, epoxy resin coating
- Handle shanks: RAL 9005 black colour, matte finish, epoxy resin coating

Version EL:

- Tube: anodised, natural colour
- Handle shanks: RAL 9005 black colour, matte finish, epoxy resin coating

Version ES:

- Tube: anodised, natural colour
- Handle shanks: silver RAL 9006, matte finish

End caps

Polyamide based (PA) technopolymer, light grey colour.
Resistant to solvents, oils, greases and other chemical agents.

Special executions on request (For sufficient quantities)

Different lengths.

Features and applications

Oval tubular handles GN 334 are attractive in design and highly stable.
The tube and the shank are interlocked and the mounting screws are covered.

| Standard Elements | Main dimensions | | | | | | | | Mounting holes | | Weight |
|-------------------|-----------------|----------------|----|----------------|----------------|----------------|----------------|----------------|----------------|-------------------|--------|
| Description | b | l ₁ | a | h ₁ | h ₂ | l ₂ | l ₃ | l ₄ | d | t _{min.} | g |
| GN 334-36-200-SW | 36 | 200 | 24 | 57 | 71 | 222 | 178 | 40 | M8 | 15 | 490 |
| GN 334-36-200-EL | 36 | 200 | 24 | 57 | 71 | 222 | 178 | 40 | M8 | 15 | 490 |
| GN 334-36-200-ES | 36 | 200 | 24 | 57 | 71 | 222 | 178 | 40 | M8 | 15 | 490 |
| GN 334-36-250-SW | 36 | 250 | 24 | 57 | 71 | 272 | 228 | 40 | M8 | 15 | 540 |
| GN 334-36-250-EL | 36 | 250 | 24 | 57 | 71 | 272 | 228 | 40 | M8 | 15 | 540 |
| GN 334-36-250-ES | 36 | 250 | 24 | 57 | 71 | 272 | 228 | 40 | M8 | 15 | 540 |
| GN 334-36-300-SW | 36 | 300 | 24 | 57 | 71 | 322 | 278 | 40 | M8 | 15 | 563 |
| GN 334-36-300-EL | 36 | 300 | 24 | 57 | 71 | 322 | 278 | 40 | M8 | 15 | 563 |
| GN 334-36-300-ES | 36 | 300 | 24 | 57 | 71 | 322 | 278 | 40 | M8 | 15 | 563 |
| GN 334-36-350-SW | 36 | 350 | 24 | 57 | 71 | 372 | 328 | 40 | M8 | 15 | 590 |
| Gn 334-36-350-EL | 36 | 350 | 24 | 57 | 71 | 372 | 328 | 40 | M8 | 15 | 590 |
| Gn 334-36-350-ES | 36 | 350 | 24 | 57 | 71 | 372 | 328 | 40 | M8 | 15 | 590 |
| GN 334-36-400-SW | 36 | 400 | 24 | 57 | 71 | 422 | 378 | 40 | M8 | 15 | 650 |
| GN 334-36-400-EL | 36 | 400 | 24 | 57 | 71 | 422 | 378 | 40 | M8 | 15 | 650 |
| GN 334-36-400-ES | 36 | 400 | 24 | 57 | 71 | 422 | 378 | 40 | M8 | 15 | 650 |
| GN 334-36-500-SW | 36 | 500 | 24 | 57 | 71 | 522 | 478 | 40 | M8 | 15 | 720 |
| GN 334-36-500-EL | 36 | 500 | 24 | 57 | 71 | 522 | 478 | 40 | M8 | 15 | 720 |
| GN 334-36-500-ES | 36 | 500 | 24 | 57 | 71 | 522 | 478 | 40 | M8 | 15 | 720 |
| GN 334-36-600-SW | 36 | 600 | 24 | 57 | 71 | 622 | 578 | 40 | M8 | 15 | 791 |
| GN 334-36-600-EL | 36 | 600 | 24 | 57 | 71 | 622 | 578 | 40 | M8 | 15 | 791 |
| GN 334-36-600-ES | 36 | 600 | 24 | 57 | 71 | 622 | 578 | 40 | M8 | 15 | 791 |
| GN 334-36-800-SW | 36 | 800 | 24 | 57 | 71 | 822 | 778 | 40 | M8 | 15 | 940 |
| GN 334-36-800-EL | 36 | 800 | 24 | 57 | 71 | 822 | 778 | 40 | M8 | 15 | 940 |
| GN 334-36-800-ES | 36 | 800 | 24 | 57 | 71 | 822 | 778 | 40 | M8 | 15 | 940 |



